

For Product Step File or 3D Model Send a Request Mail To info@nrack.com

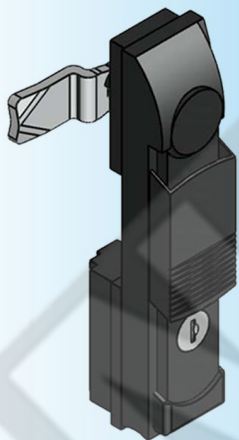
IP 65



Photo View



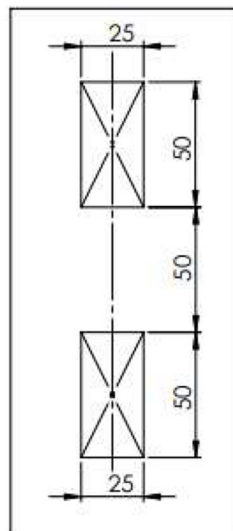
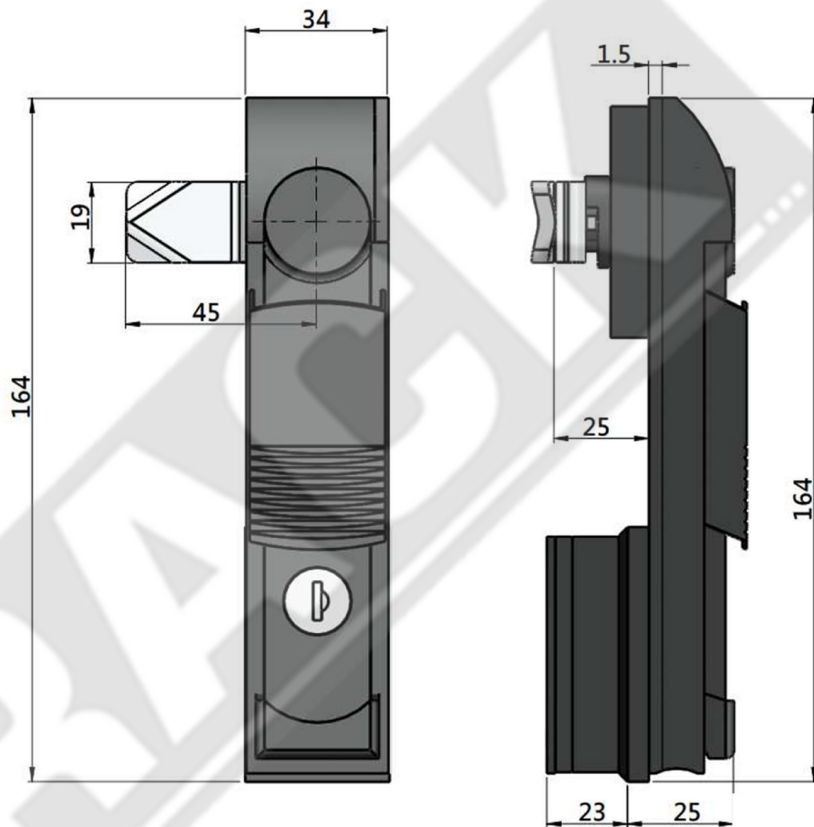
3D Rendered View



MS 824-2-1

- Material: PA6-Body, Brass Zinc Shaft, Zinc Plating Cam.

Diffrent Key Combination Available on request



PANEL CUTOUT